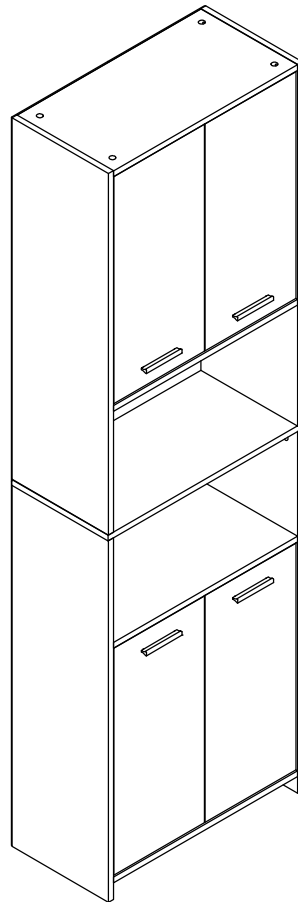
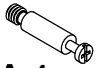


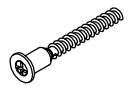
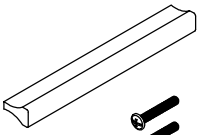
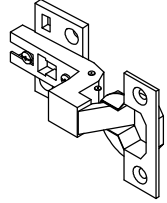
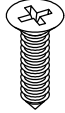
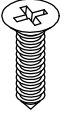
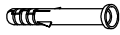
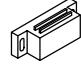




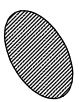
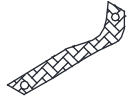
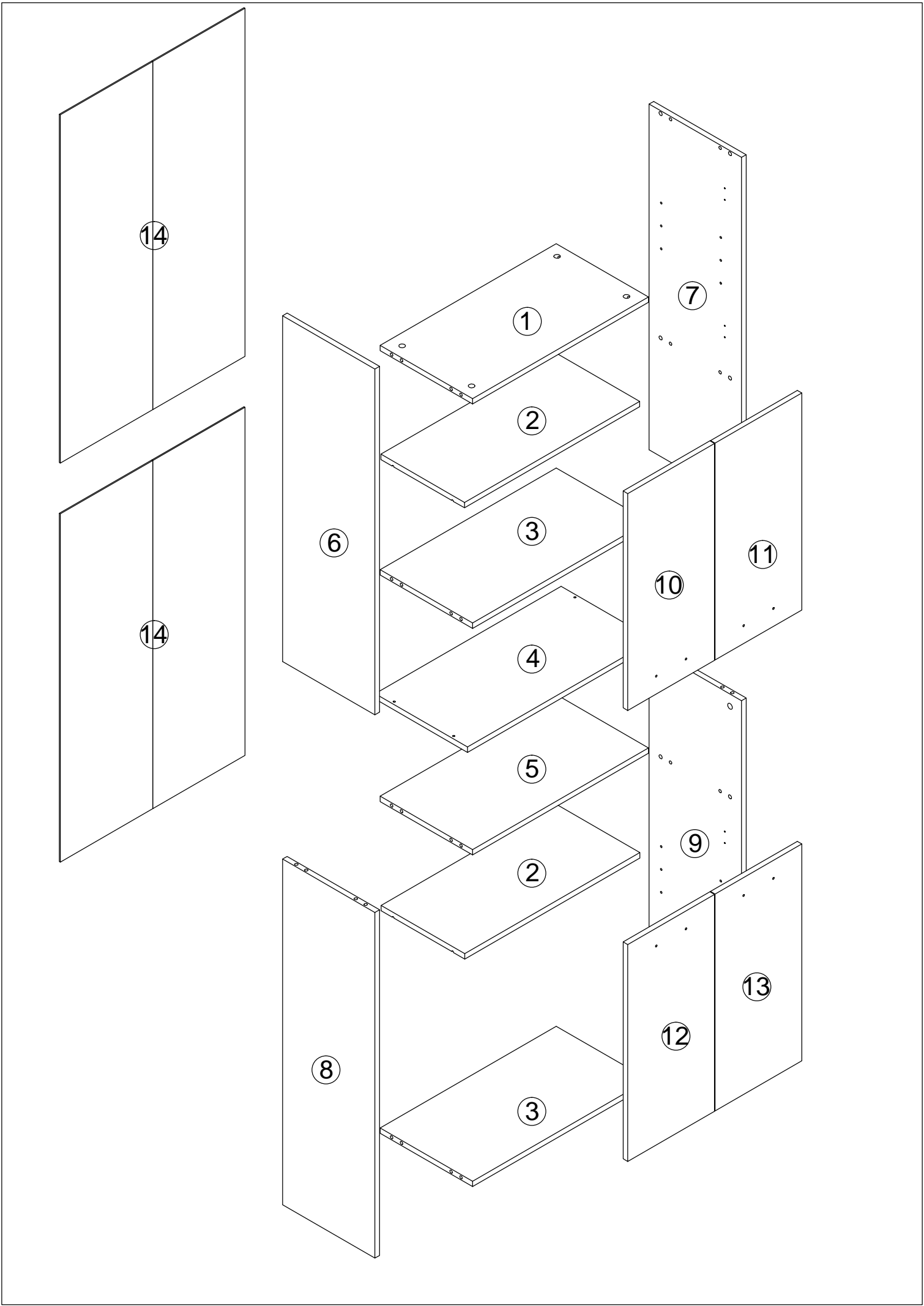


Bathroom Linen Storage Cabinet 4 door

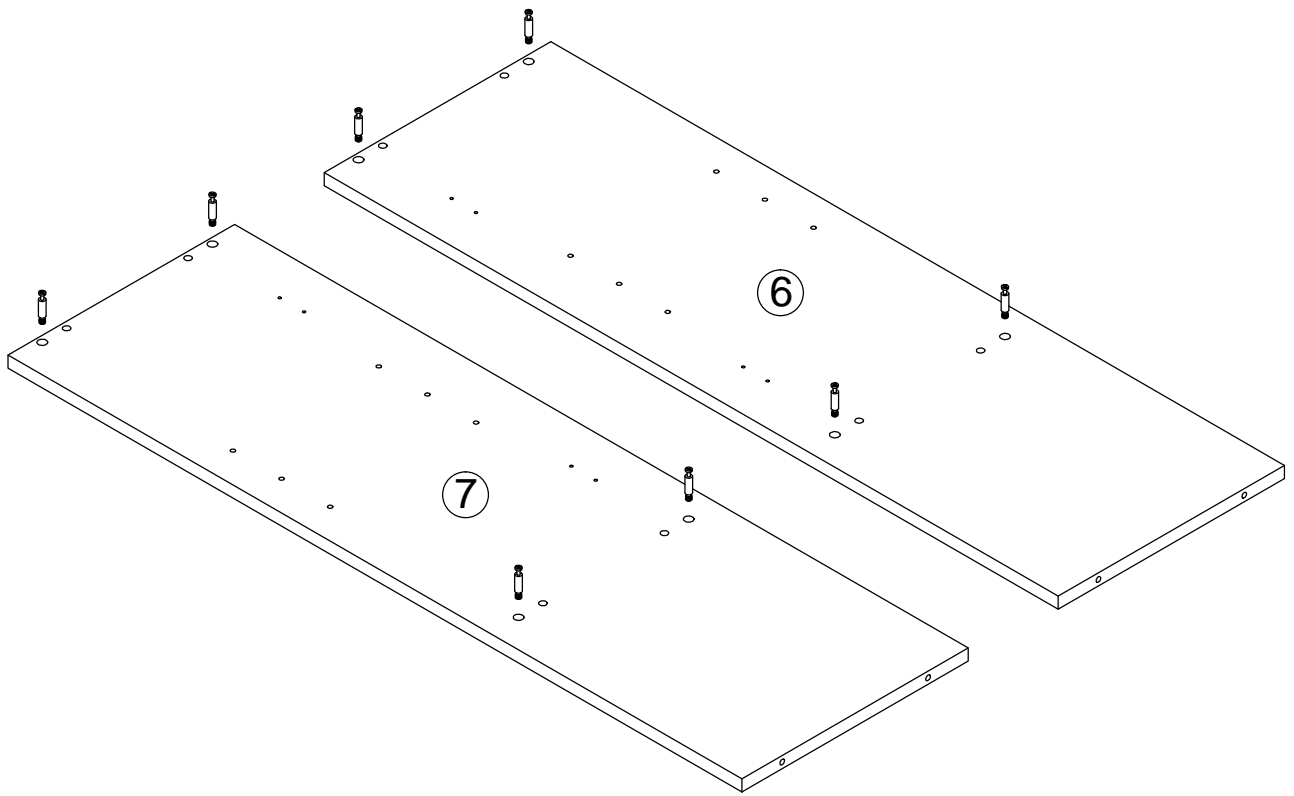
Assembly Instructions
 QI004475L



 A1	 A2	 $\text{Ø}8*40$	 $\text{Ø}7*50$	 $\text{Ø}4*18$		 $\text{Ø}3.5*14$
A×20	B×20	C×4	D×4	E×8	F×49	
 $\text{Ø}3*14$	 $\text{Ø}4*35$					
G×12	H×1	I×2	J×4	K×8	L×4	
	 $\text{Ø}20$					
M×40	N×20	O×1				

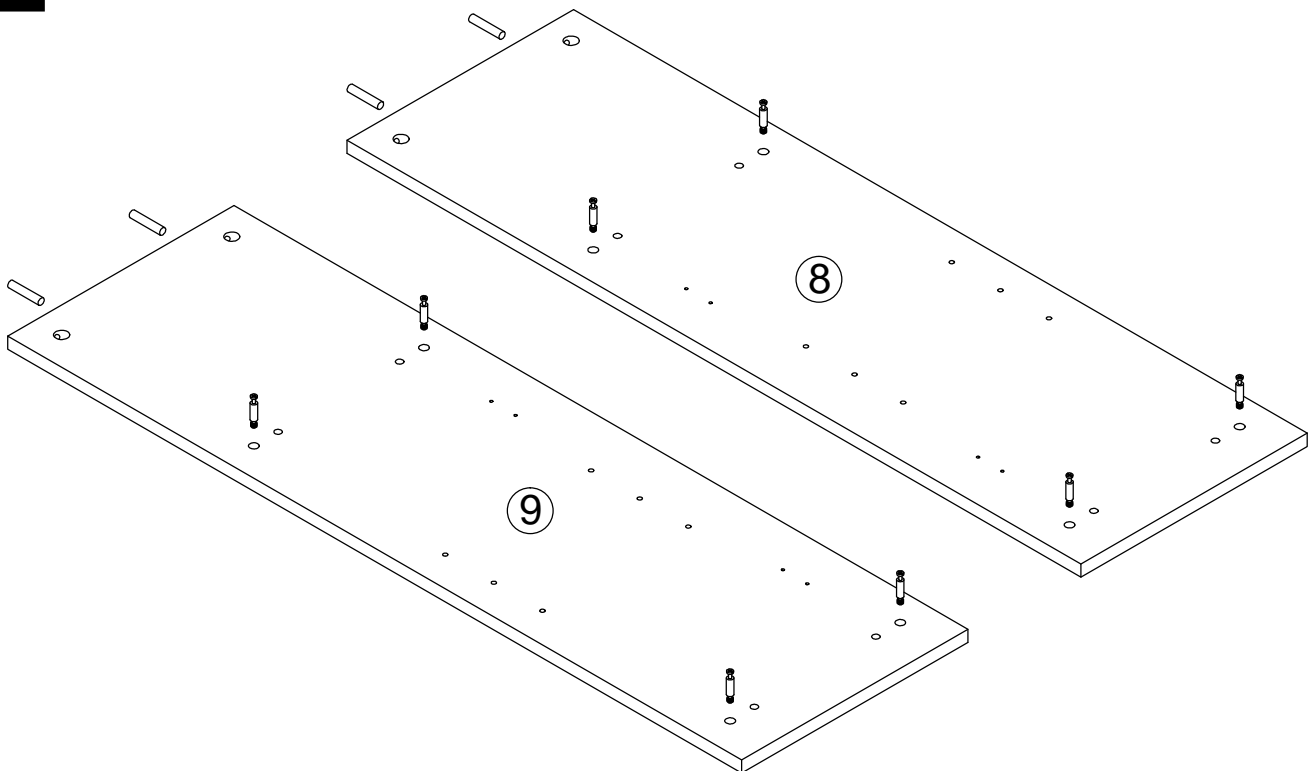


1



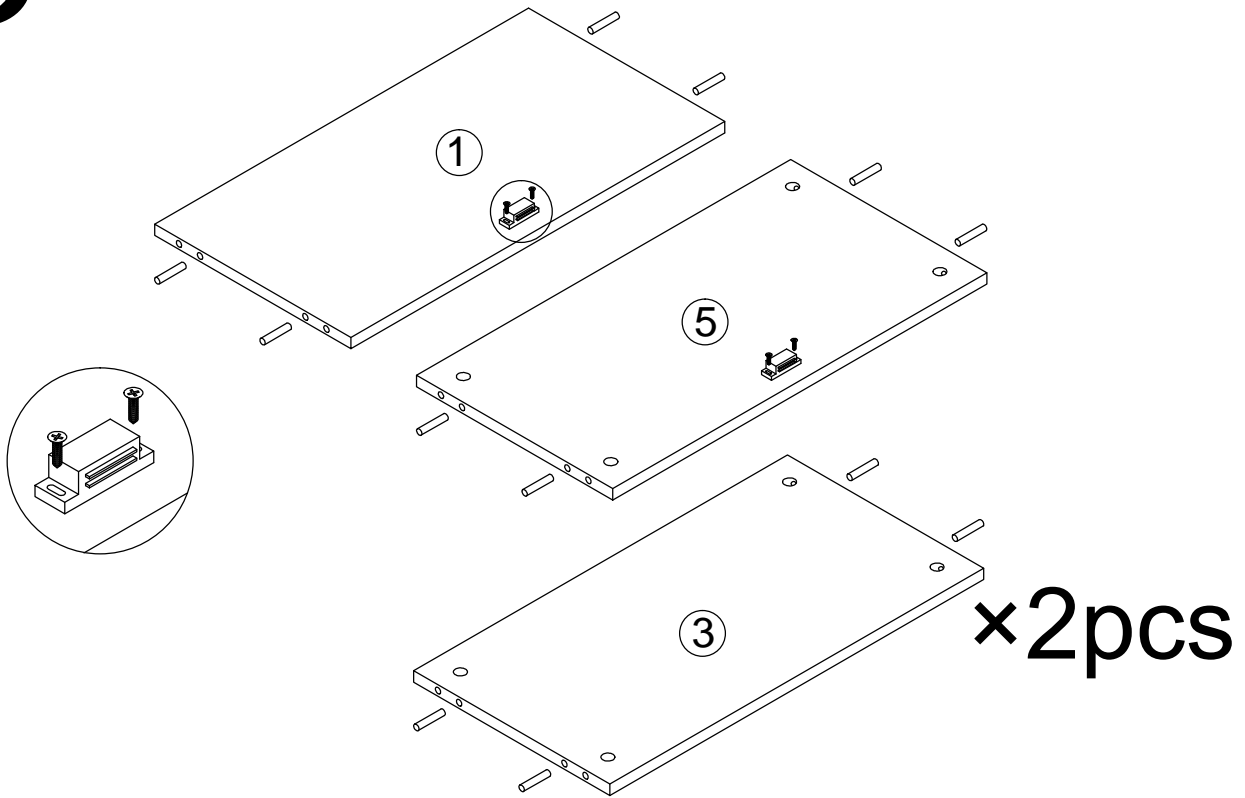
A1*8

2



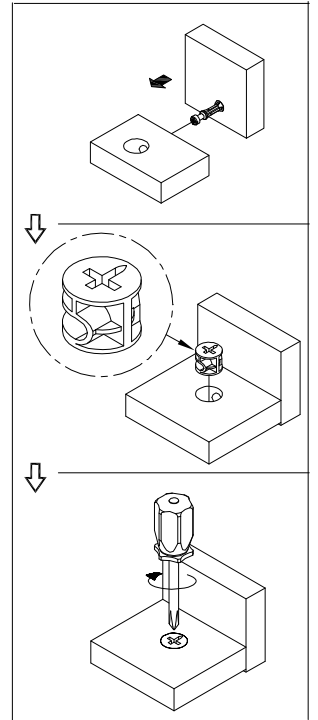
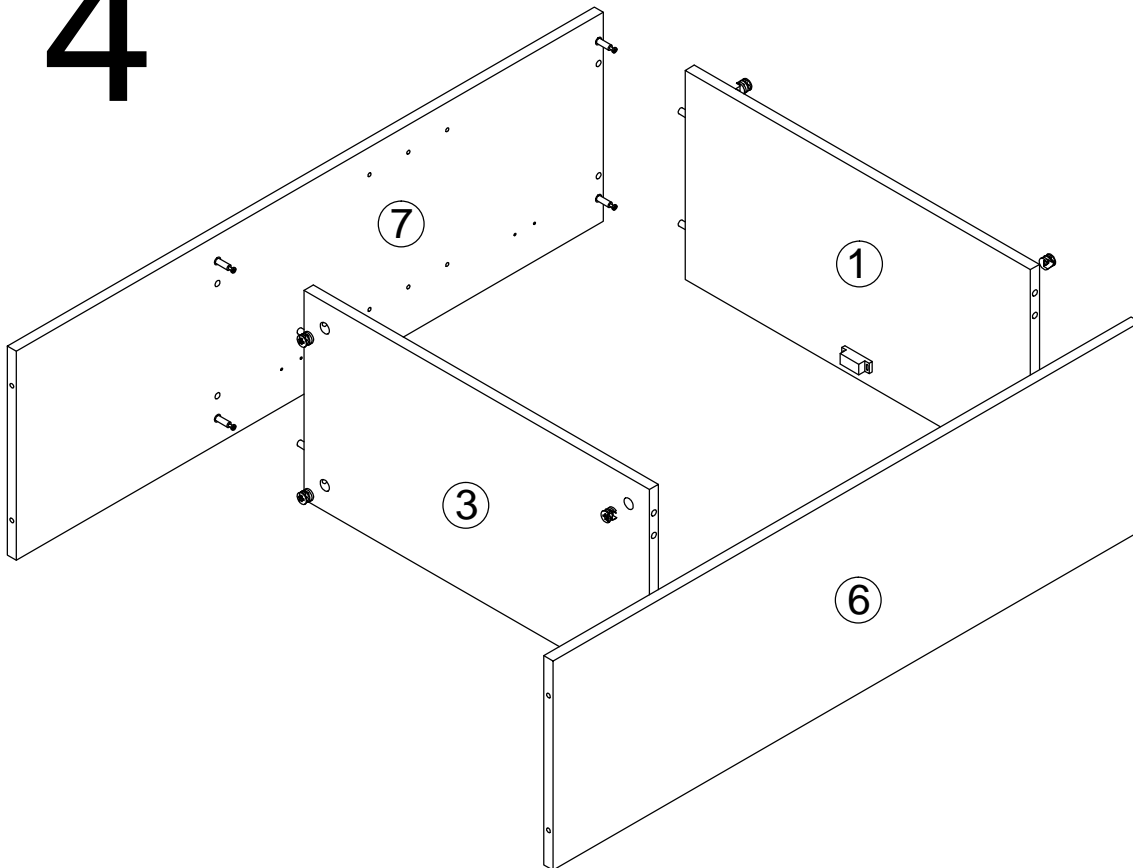
A1*8+B*4

3



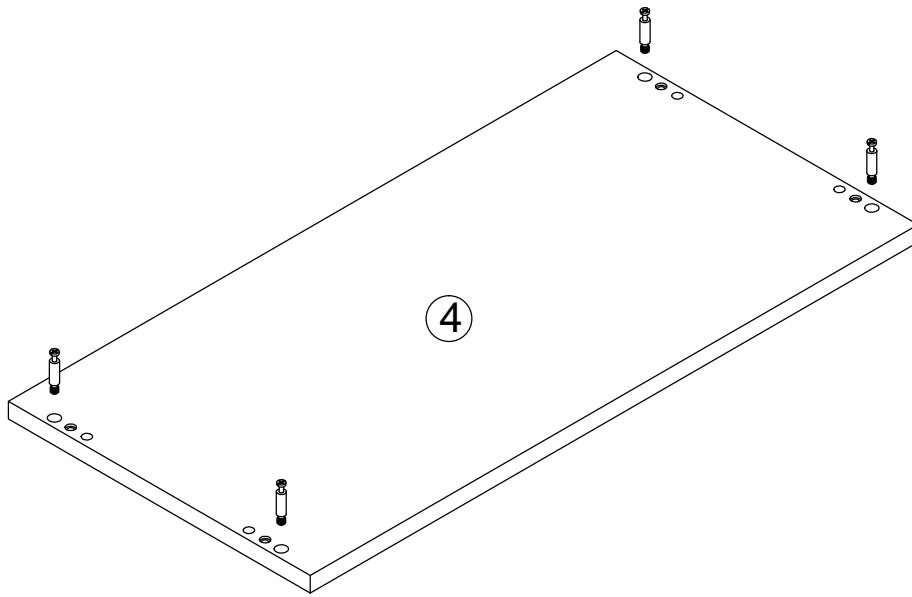
$B*16+G*4+I*2$

4



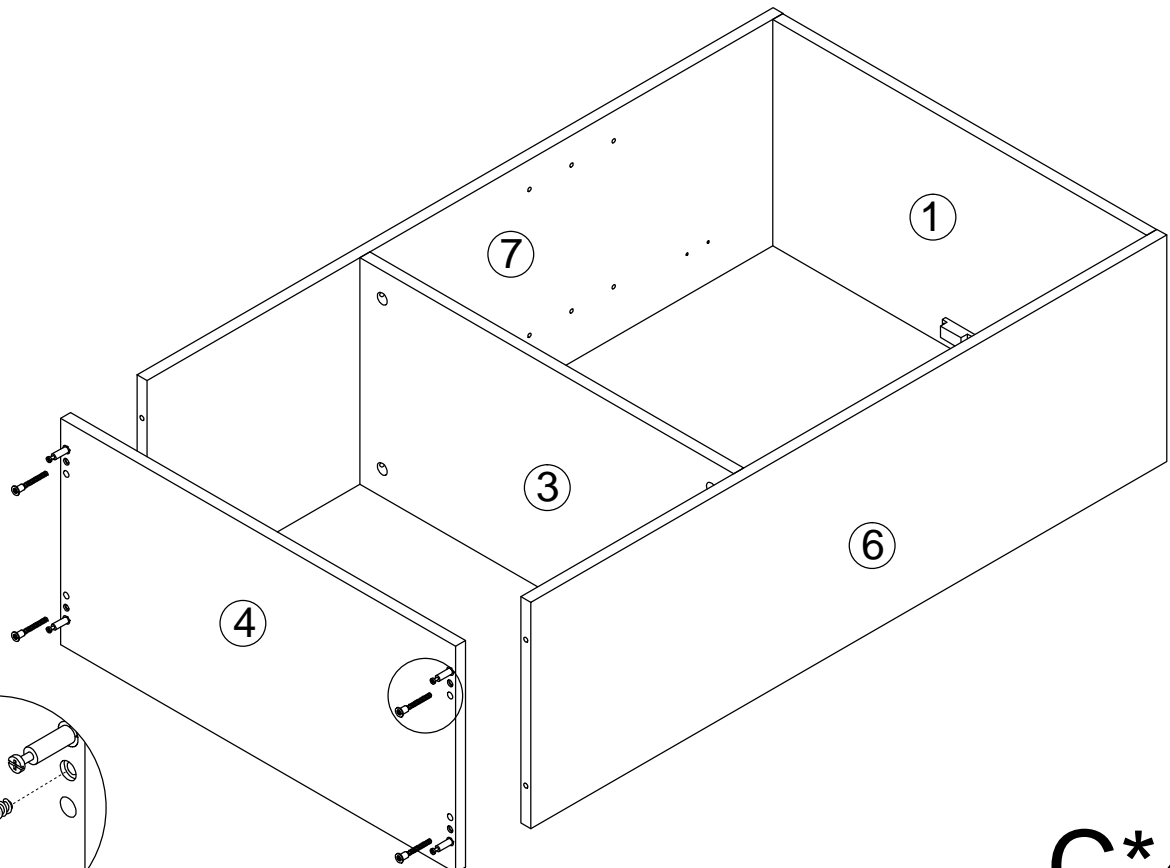
$A2*8$

5



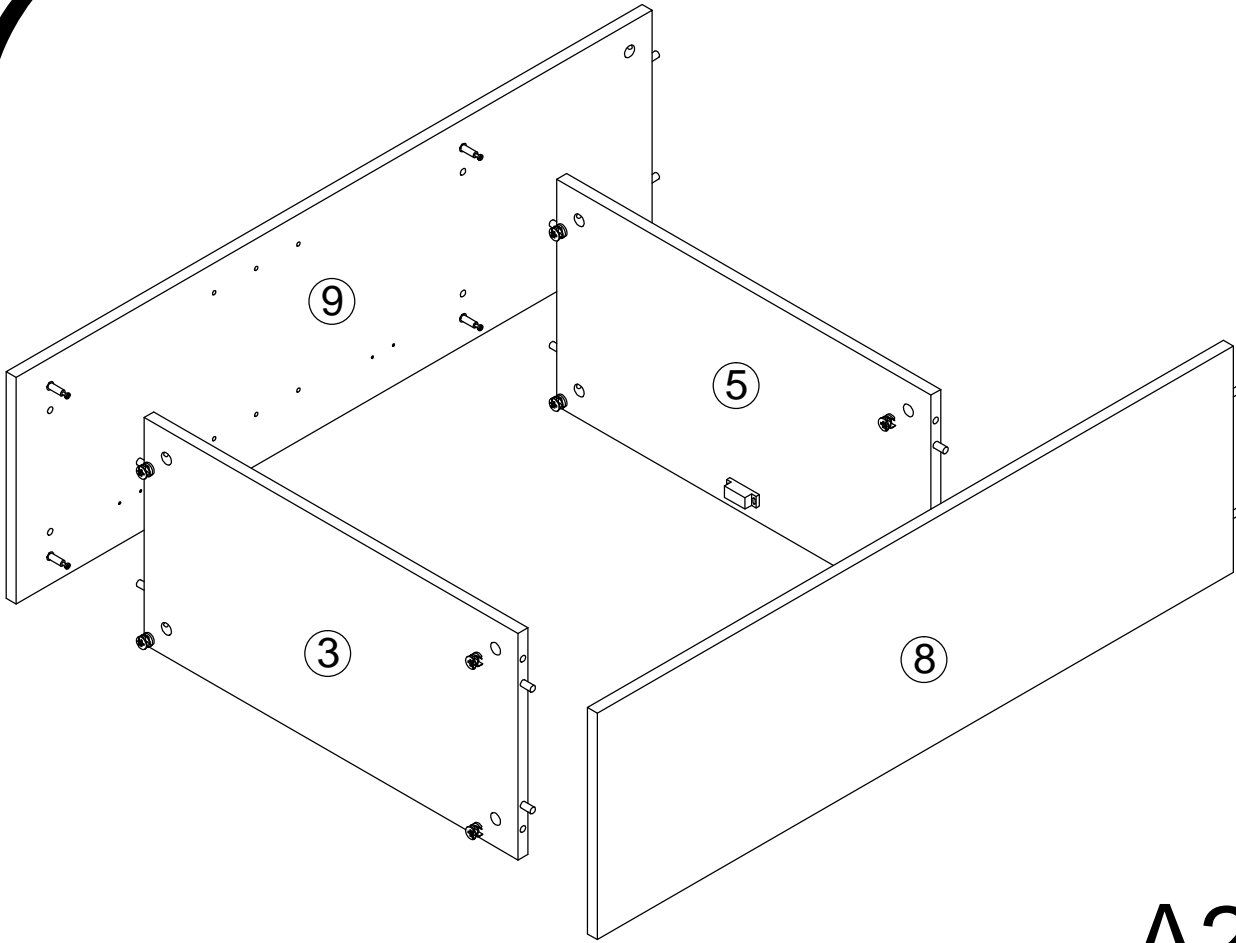
A1*4

6



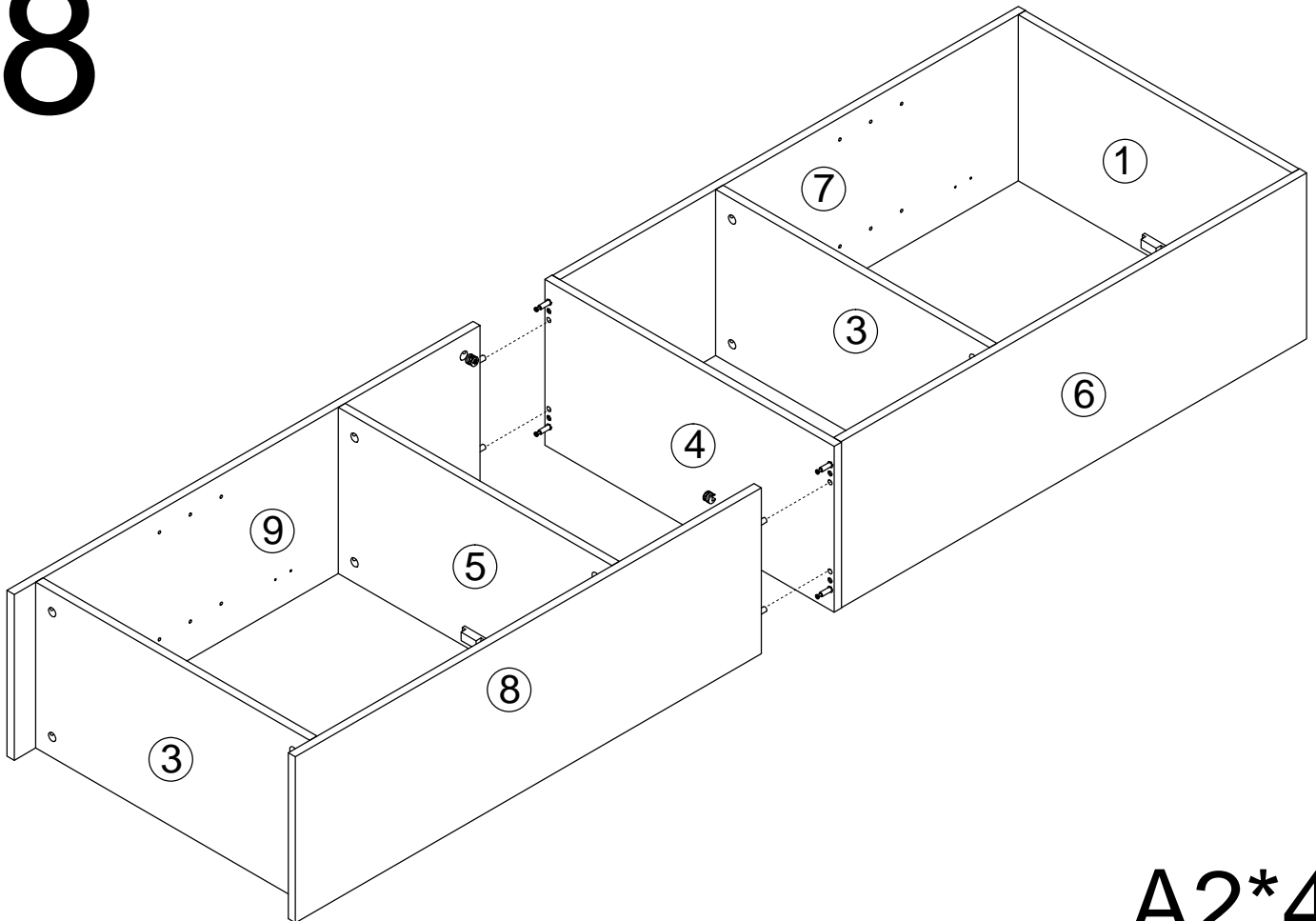
C*4

7



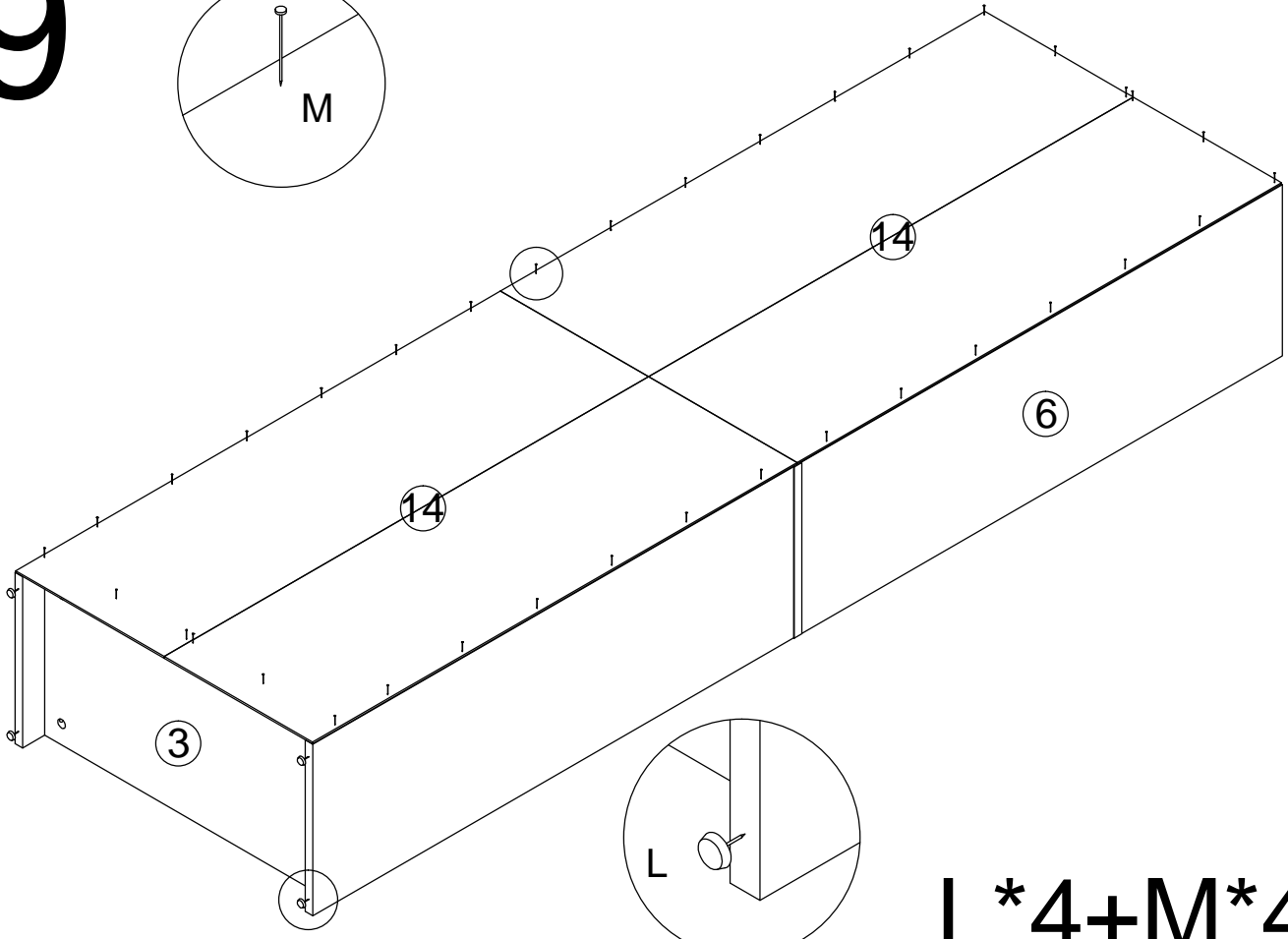
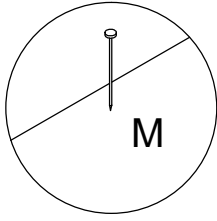
A2*8

8



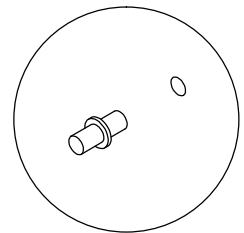
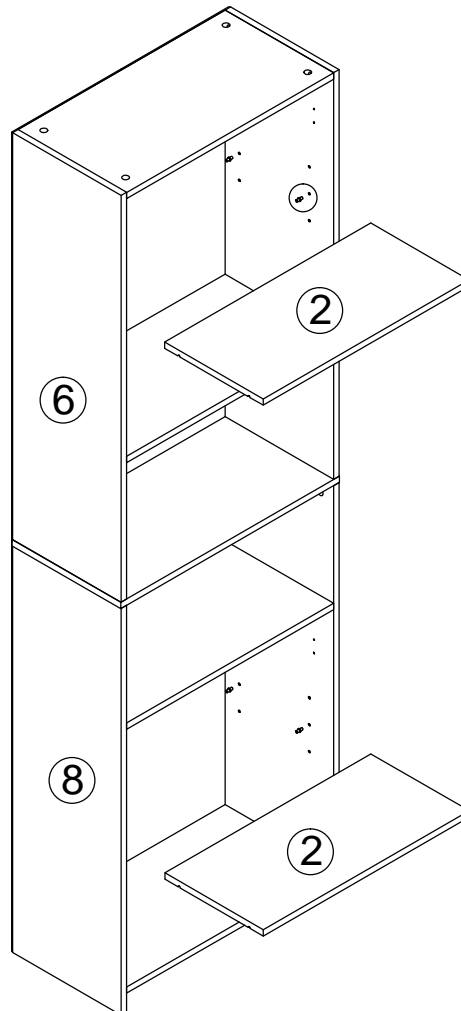
A2*4

9



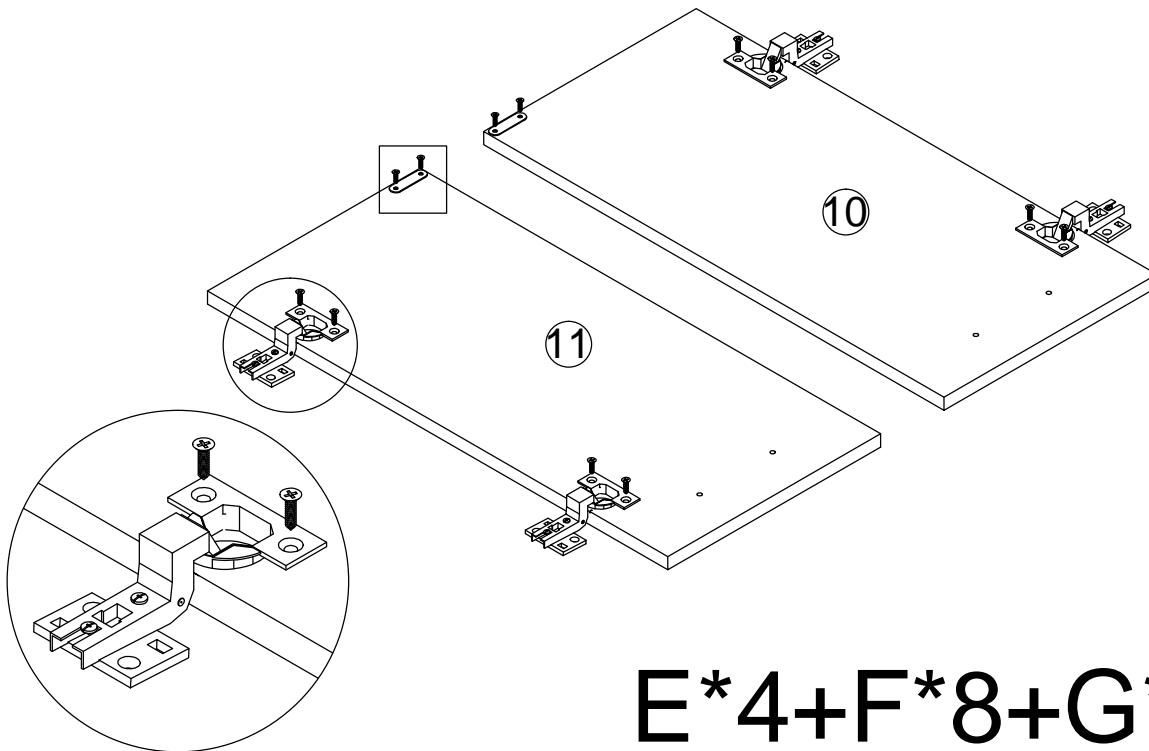
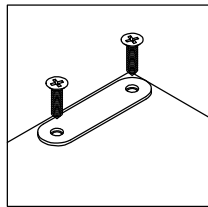
$L*4+M*40$

10



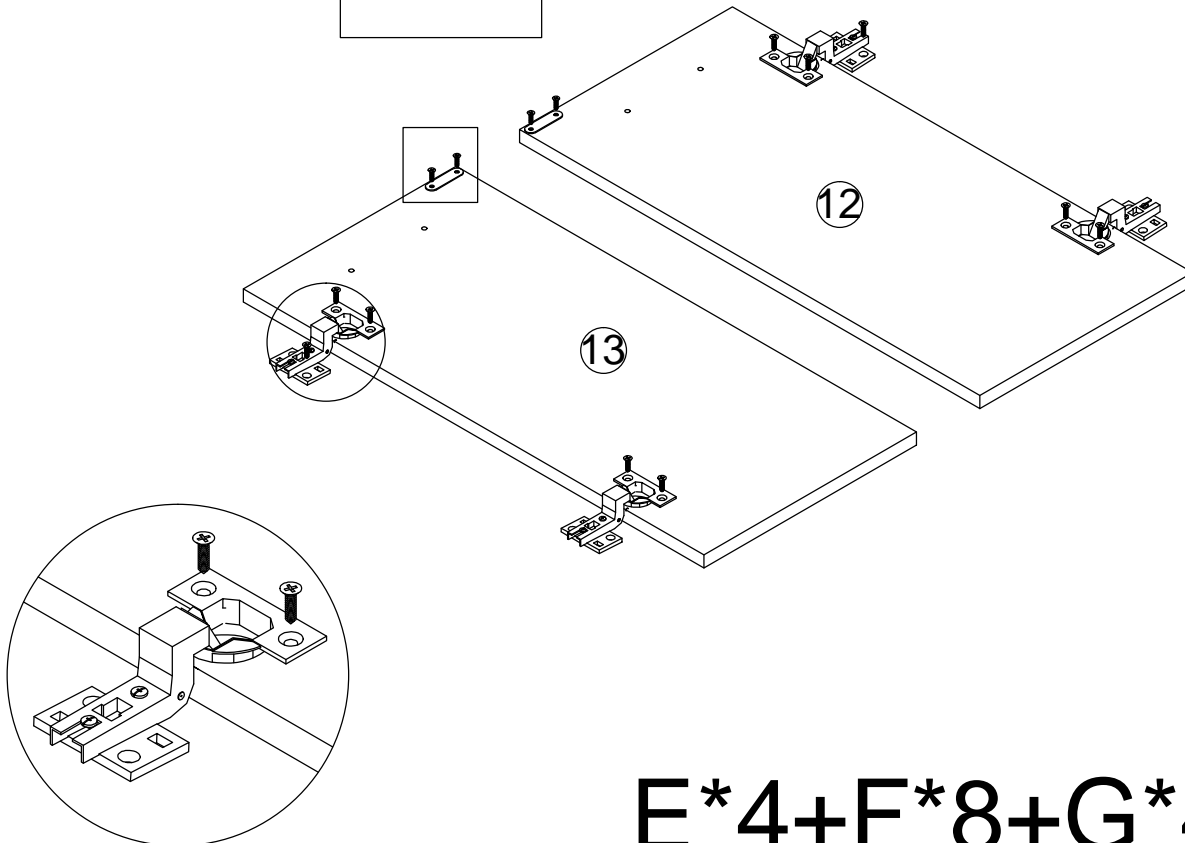
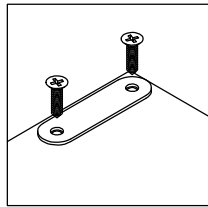
$K*8$

11



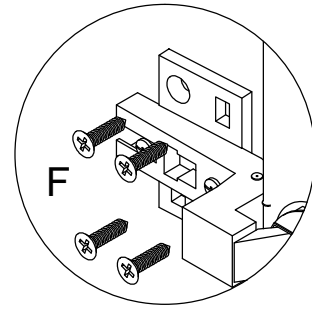
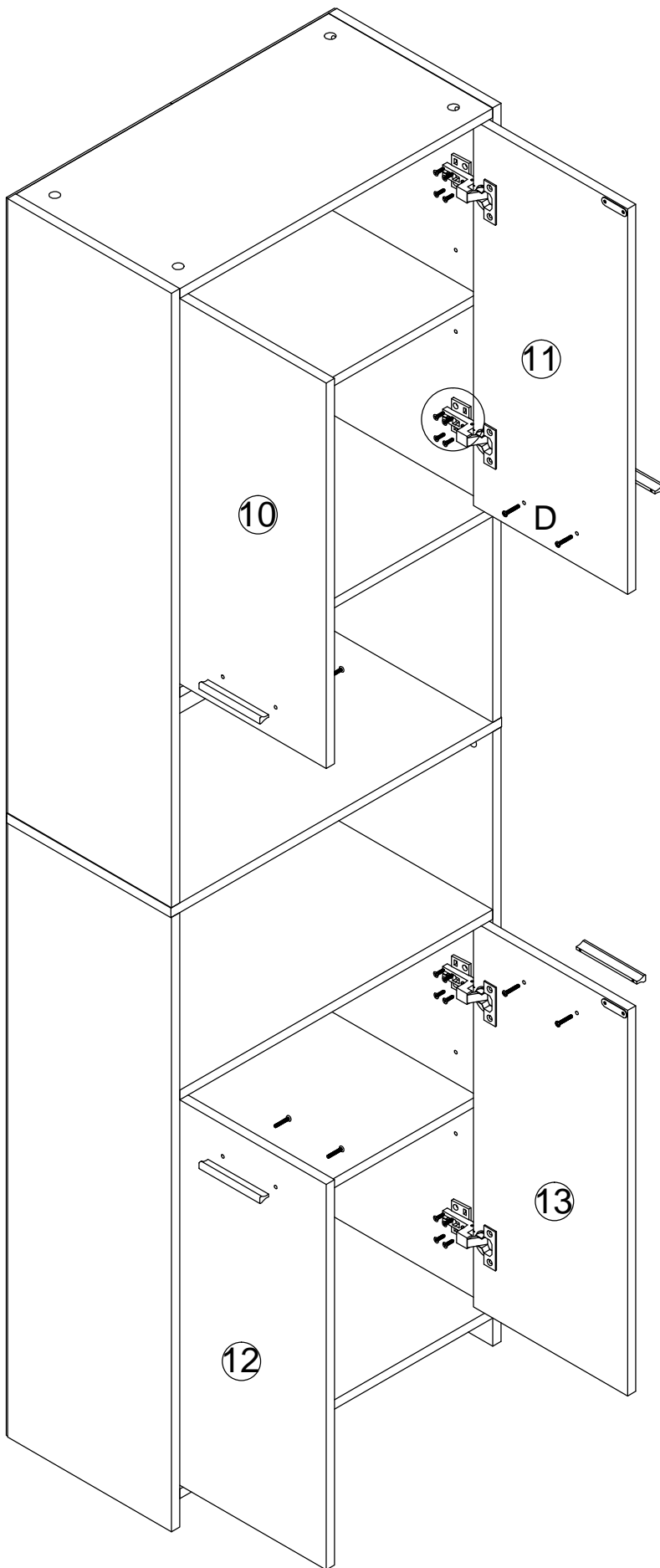
$E*4+F*8+G*4+J*2$

12



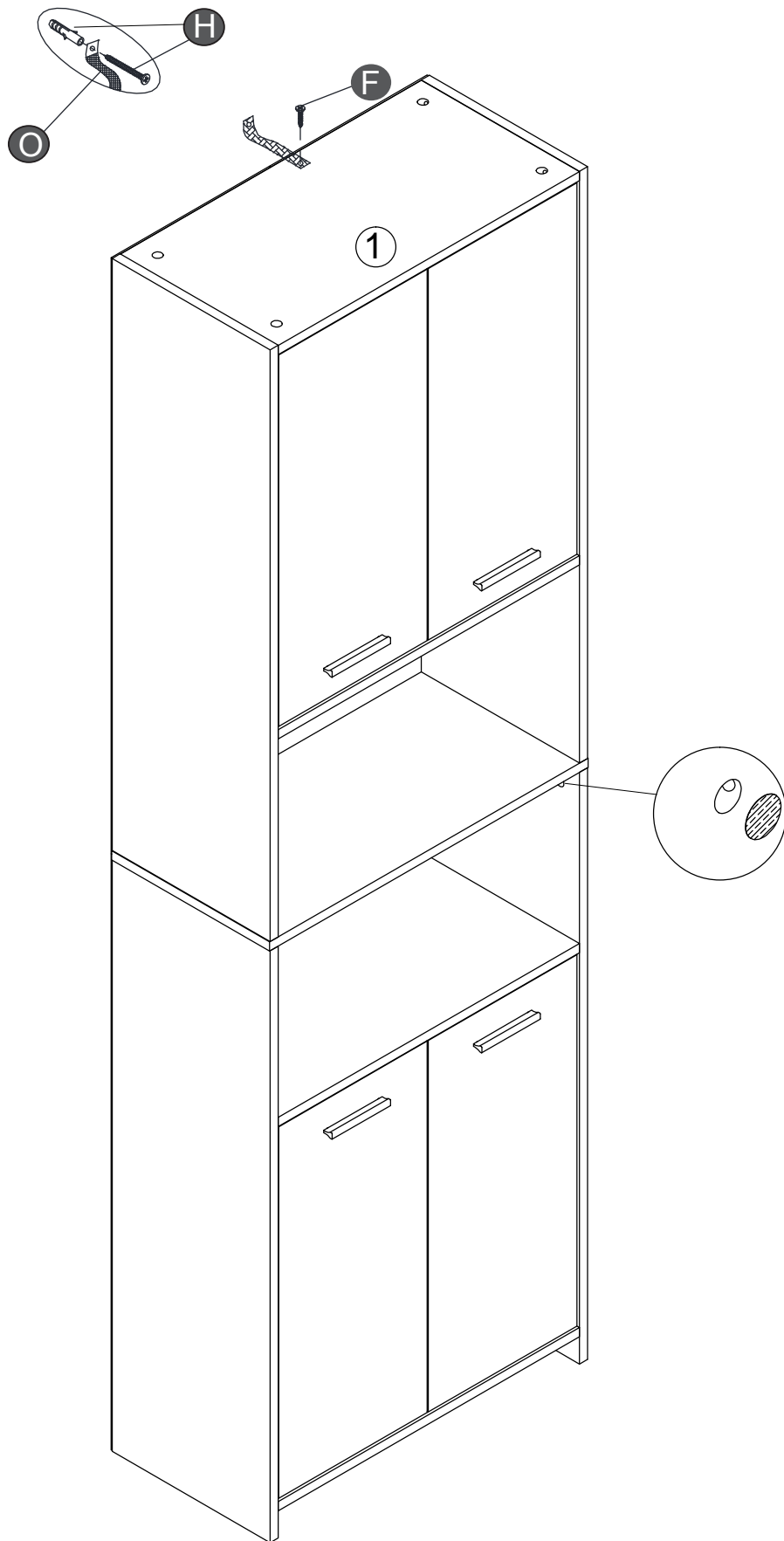
$E*4+F*8+G*4+J*2$

13



D*4+F*32

14



$F*1+H*1+N*20+O*1$